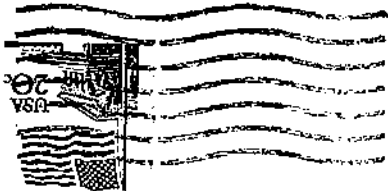


15  
CHASTELER, FRANK  
1772 IOWA ST.  
COSTA MESA  
CA 92626

P. O. BOX 1673  
COSTA MESA, CA. 92626



# The Society Column

Editor Ken Myers

President	John Amies 548-5140	Treasurer	Ken Myers 968-6901
Vice President	Dale Black 540-6147	Contest Director	John Krug 974-3779
Secretary	Herman Hall 637-2704	General Director	Frank Chasteler 545-2185

"The Oldest A.M.A. Sanctioned Soaring Club In The World"

SEPTEMBER, 1983 \*\*\*\*\* VOL. 20 NUMBER 09

## FROM THE EDITOR

Nominations for next years officers will be conducted at our October club meeting. If you don't care to participate or nominate YOUR favorite candidate, well, you know the famous line, I won't preach.

When you come to the October meeting you will be automatically eligible to participate in a drawing for a \$20 gift certificate redeemable at Hobby Shack.

We also will have a representative of Kraft R/C at the October meeting, be there or be square!!

**OCTOBER CLUB MEETINGS**

Our meeting for October will be on WEDNESDAY October 5th at 7:30 PM at The Costa Mesa Consolidated Water District Office, 1965 Placentia Ave, Costa Mesa.

**OCTOBER THERMAL CONTEST**

The thermal contest for October will be held at our field on October 9th. The CD will be John Krug. The events will be as follows: Three rounds, First round, called flight order, 5 min duration, 900 pts for flight, 100 points for landing, standard AMA landing tape, Second round, your choice, 10 min thermal flight, 1000 points, no landing, minus 5 points per second over/under 10 min, OR 20 CONSECUTIVE loops. Each loop will be worth 50 points. Third round, 1 (one) min thermal flight, 500 pts for flight, 500 pts for landing. 10 points off per second over/under 1 min. Sounds crazy but I bet it will be a ball!! John will explain the details further at the Oct. meeting.

**TREASURERS REPORT**

This report covers the period of 08/16/83 to 09/27/83.

CHECKING BEGINNING BALANCE 08/16	\$386.78
INCOME CONTEST V	\$ 44.00
	-----
SUB TOTAL AS OF 08/16/83	\$430.78
EXPENSES:	
CHUTES	\$47.70
TROPHIES	\$37.37
ID BADGES    TROPHIES	\$29.19
POSTAGE JULY - AUG - SEPT	\$40.00
	-----
TOTAL EXPENSES AS OF 09/27/83	\$154.26
CHECKING BALANCE	\$430.78
MINUS EXPENSES	- \$154.26
	-----
NEW CHECKING BALANCE	\$276.52
SAVINGS REMAINED AT	+\$211.83
	-----
TOTAL AVAILABLE CAPITOL	\$488.35

**SC2 FOR OCTOBER**

The SC2 for October will be hosted by The North County Clouds, on October 30th. Aircraft need not be covered in orange and black monokote to be entered. Further details elsewhere in this newsletter.

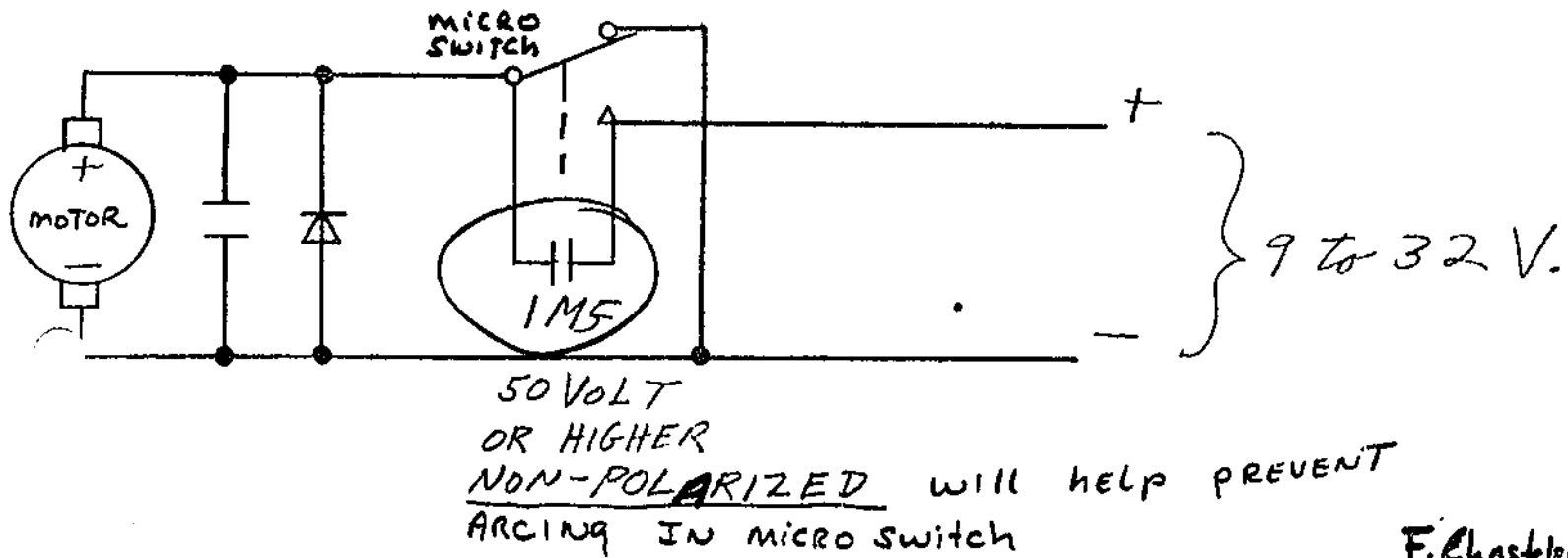
**FOR SAIL - FOR SAIL**

J. KRUG HAS A 12 VOLT WINCH. NEW BATTERY AND LINE INCLUDED. PRICE NEGOTIABLE.

MIKE CHARLES IS OVER STOCKED WITH AIRCRAFT AND MISC EQUIPMENT. CONTACT HIM FOR LIST OF ITEMS AVAILABLE.

DENNIS BRANDT IS LOOKING FOR A CHEAP WINDRIFTER - PARAGON ETC FOR A BEGINNER 995-5364 AFTER 5 PM.

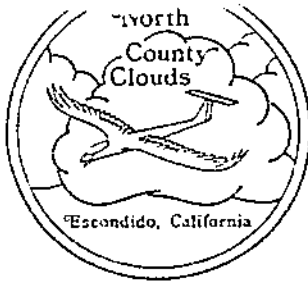
K. MYERS HAS SEVERAL SURPLUS WINGS AND MISC ITEMS. ALSO SEVERAL PARTIALLY COMPLETED AIRCRAFT. PRICES NEGOTIABLE.



F. Chastel

**NOV. ELECTRIC CONTEST**

- 1) 3 FLIGHTS
- 2) COUNT GLIDE TIME ONLY (MAX. 20 MIN. EACH)
- 3) NUMBER OF MOTOR RUNS IS PILOT'S OPTION.
- 4) SCORE BEST 2 FLIGHTS
- 5) IF ALL 3 FLIGHTS ARE LESS THAN 11 MINUTES EACH, SCORE ALL 3 FLIGHTS.
- 6) LANDINGS WILL BE SCORED IN CASE OF TIES. (F3E LANDING TAPE)



NORTH COUNTY CLOUDS

CONTEST  
ANNOUNCEMENT

**WHERE:** NORTHWEST CORNER OF VIA VERA CRUZ AND LINDA VISTA DRIVE,  
SAN MARCOS, CA. Map on reverse.

**WHEN:** OCTOBER 30, 1983

**EVENTS:** SC2 CLASS A OPEN AMA SANCTION # 1601

**ROUND ONE:** 2 Minute Precision-Duration.  
Open Launch order. Sign up for frequency  
and fly any time after registration. 800  
flight points and 200 landing points. Bell  
Curves.

**ROUND TWO:** 5

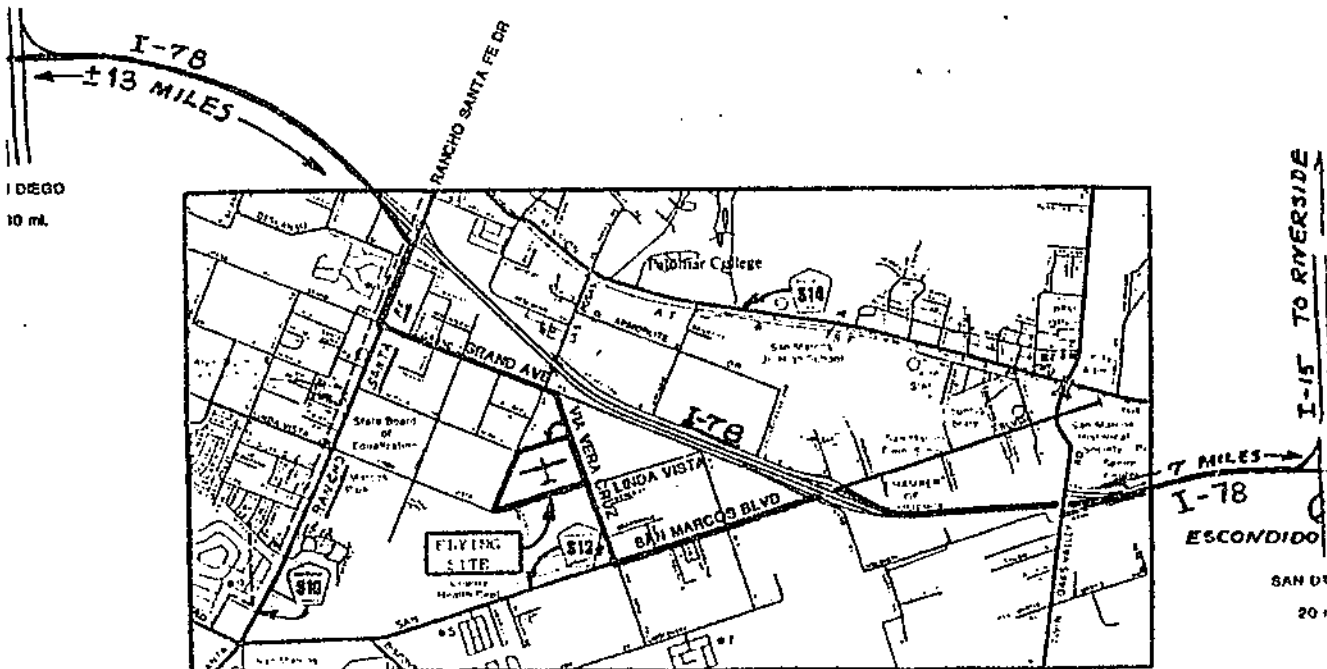
**ROUND THREE:** 6 Minute Precision-Duration. 900 flight  
points and 100 landing points. Called flight  
order. Man-on-man scoring.

**DETAILS:**

- \* SIGN-UPS BEGIN AT 8:00 A.M.
- \* AMA REQUIRED.
- \* AMA NUMBERS REQUIRED ON, OR NAME AND ADDRESS IN SAILPLANE  
ENVELOPE (1982 regulation).
- \* REGISTRATION \$5.50.
- \* TROPHIES TO 10th PLACE.
- \* TEAM TROPHIES (4).

CD - GEORGE COCK - NCC President  
11126 Almazon St.  
San Diego, CA. 92129  
(619) 485-8151

Assistant CD - KEITH SMITH  
3430 Sunset Dr.  
Fallbrook, CA. 92028  
(619) 728-0760



## CONTEST V RESULTS

NAME	--	OPEN	ADVANCED	SPORTSMAN
T. CHASTELER	2970	-	1000	-
G. RITSCHKE	2967	999	-	-
M. CHARLES	2937	989	-	-
J. DURHAM	2905	-	978	-
H. HALL	2881	-	-	970
F. CHASTELER	2855	961	-	-
MILLER	2805	-	944	-
AMIES	2792	-	-	940
FRYE	2767	-	-	932
M. SMITH	2757	-	928	-
HEACOX	2728	919	-	-
BIDDLE	2670	-	899	-
KRUG	2643	-	890	-
POULSEN	2554	-	-	860
PANTZAR	2429	-	818	-
TROXEL	2328	-	-	784
POMO	2265	-	-	763
ROOT	2167	-	-	730
SODARO	2119	-	-	713
CRON	2069	-	-	697
MITCHELL	2055	-	-	692
LEE	1859	-	-	626

Herman Hall will move to the advanced class due to his scores in this contest.

Herman Hall was the CD for this contest. He had selected 3 flights for 18 min. One optional loop was allowed which counted as one min. of flight time. The contest had the largest number of Sportsman to participate in a contest. Terry Troxel, otherwise known as "Dynamite" (his middle initial is N) came out with his own personal winch. It consisted of an Astro Flight motor with 3 pound test monofilament line. A "hot" time was had by all, considering the 90 degree temperature. Other contest facts: (1) only 2 contestants did 3 loops. (2) A total of 19 loops were accomplished. (3) The oldest and the youngest beat everyone. (4) Gordon tried his famous "roll" but it was not counted due to the fact none of the judges saw it. (5) Only one contestant flew for 18 min, he won. (6) Only 2 contestants had 3 100 point landings, they finished 1st and 2nd.

## T-SHIRTS

We have T-Shirts in stock. If you ordered one see D.PANTZAR, and if you haven't ordered yet, get your \$11.00 out and show the world what club you fly with!!

## IMPORTANT MESSAGE FROM THE SECRETARY

According to the AMA the following members are not registered with the AMA for 1983: ALLEN AUNET - ASHLEY SANGSTER - BRUCE SANGSTER - GARY WESTLAND. If you agree and have forgot to mail in your AMA dues, see one of the club officers with a check for the dues, if you disagree, please send a xerox copy of your 1983 license to the club PO Box immediately! We have to send the copy to the AMA to verify your standing. THIS IS THE FINAL NOTICE.

C O P Y

2689 N. Galley Street  
Orange, California 92665  
August 22, 1983

Mr. Craig Foxgord  
2623 Honolulu Avenue  
Montrose, California 91020

Dear Craig:

I have enclosed information on the HSS SC<sup>2</sup> Contest to be held on Nov. 20, 1983. The contest notice will be published in our Oct. newsletter. The contest will be as follows:

Event: 3 rounds of thermal soaring with emphasis on landing.

Location: Fairview Park, Costa Mesa, California.

Tasks: 1st round - 3 minute precision, flight value 900 points, landing 100 points. 5 points per second off for each second over or under 3 minutes.

2nd round - 5 minute precision, flight value 900 points, landing 100 points. 5 points per second off for each second over or under 3 minutes.

3rd round - 1 minute precision, flight value 500 points, landing 500 points. 5 points per second off for each second over or under 1 minute.

If any parts break or come off aircraft or aircraft is damaged beyond safe flight, the landing points will be 0; this includes the 3rd round.

Standard landing spots of 25 feet with tapes.

All rounds will be called flight order.

Winches: 6 and 12 volt winches and line retrieval provided. Approximately 400 foot lines.

Landing area: Hard, dry dirt with some dry brown grass.

Awards: 1st through 10th places, Open Class, trophies and plaques and 4 plaques for top 4 places for the top placing club team.

Registration: Sign up opens at 8:00 A. M. and ends at 9:00 A. M. Pilots' meeting at 9:00 A. M. Flying will start at 9:15 A. M. Proof of AMA membership required. \$5.50 entry fee.

My phone number is 974-3779 and the club president John Amies's phone number is 548-5150.

Sincerely yours,