



HSS is now incorporated as a non-profit Public Charity under IRS section 501(c)(3)

HSS is the oldest AMA chartered R/C Soaring Club in the USA. Founded in 1964.

February 2024

HSS IS NOW OVER 59 YEARS OLD!

Volume 73

# HSS PLANE RAP NEWSLETTER

## Fairview Park flying field is open!

RC gliders can fly 1<sup>st</sup> & 3<sup>rd</sup> Saturdays, 8am-2pm

Hand launched and rubber powered free flight models are allowed any day.

### Plane Rap Index

Check out the following articles:

- [FRIA Status](#) P.2
- [Humor](#) P.2
- [Aileron & Flap hinging](#) P.3
- [TRUST Test and FAA Registration](#) P.4
- [HSS Membership](#) P.4
- [HSS Logo decals](#) P.4
- [HSS Social Media Links](#) P.4
- [Planned Activities and Events](#) P.5
- [Next Meeting Announcement](#) P.6
- [Invitation for Contributions](#) P.6
- [For Sale](#) P.7
- [HSS Sponsors](#) P.7
- [HSS Membership Application](#) P.8
- [HSS Officer Contact Information](#) P.9

### Coming Events

February 2024

- February meeting will be at Round Table Pizza on Feb 13, 7:00 – 9:00
- Fairview Park flying days! Feb 3 & 17. **Feb 3 likely to be rained out; watch for an email update**
- **Be sure you have your 2024 HSS Membership and CM City permit!**



**FRIA Status**

HSS has been granted a FRIA by the FAA! Here's a screen shot showing the FRIA number & specifications. Note that even though this shows 200' as the max altitude, HSS has official authorization from FAA for 400'.

Recreational Flyer Fixed Sites: Harbor Soaring Society 2	
SITE NAME	Harbor Soaring Society 2
SITE ID	23822
LATITUDE	33.6613
LONGITUDE	-117.9409
CITY	Costa Mesa
STATE	CA
ZIP CODE	92627
CEILING	200
BOUNDARY	660
UNIT	Feet
POC	<a href="#">More info</a>
LAST EDIT DATE	4/1/2019
GLOBAL ID	e189872c-9def-4073-b333-4974f652f981

...

**Humor**

The physics required for an F-35B to hover...



Rare footage of a vegan plane refueling



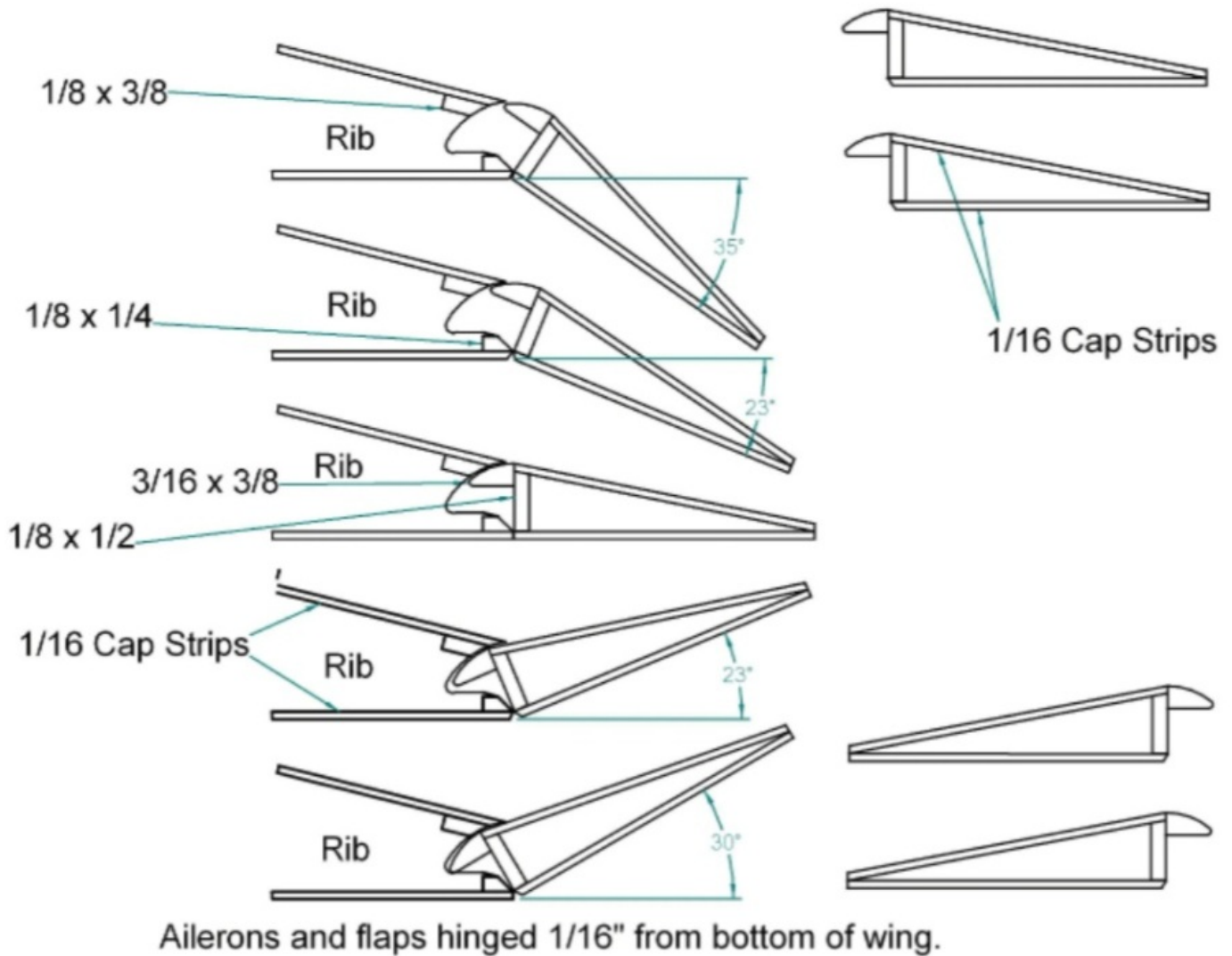
I always knew they ran on lots of money...

Hobby Shack ad from 1976.



**Ailerons & Flaps**

As I was researching a new glider, I came across this idea for hinging ailerons & flaps. Looks like more work, but might be worth the increase in efficiency.



**A little help, please**

Mike Costello is in need of about one foot of transparent orange MonoKote. Does anyone have any for sale?  
714-875-7994



## The TRUST Test and FAA Registration

TRUST is The Recreational UAS Safety Test. It provides education and testing for recreational flyers on important safety and regulatory information. If you fly your drone recreationally under the [Exception for Recreational Flyers](#) you must pass the test before you fly. To take the test, go to <http://trust.modelaircraft.org>. This is the AMA Site. Take the test (Don't worry, it is fail proof) then obtain your "Completion Certificate."

All recreational flyers must pass this aeronautical knowledge and safety test and provide proof of test passage (the TRUST completion certificate) to the FAA or law enforcement upon request.

Go to <http://faadronezone.faa.gov> and create an account for your FAA Registration. Apply for "I fly under The Exception For Recreational Flyers". They will issue you an FAA registration number that must be affixed to the outside of all of your radio control model aircraft. The charge is \$3 for three years, for all of your R/C aircraft.

All recreational flyers must pass this aeronautical knowledge and safety test and provide proof of test passage (the TRUST completion certificate) to the FAA or law enforcement upon request.

Go to <http://faadronezone.faa.gov> and create an account for your FAA Registration. Apply for "I fly under The Exception For Recreational Flyers". They will issue you an FAA registration number that must be affixed to the outside of all of your radio control model aircraft. The charge is \$3 for three years, for all of your R/C aircraft.

## HSS Membership

Our 2024 HSS membership enrollment season is running full speed. Note that annual membership dues is now reduced to \$15. The latest membership application is included in the last pages of this newsletter. This can be mailed to our post office box shown on the last page, or given to a club officer. Alternately, HSS and AMA membership applications can be obtained from any club officer, or available on our club web site at [www.harborsoaringsociety.org](http://www.harborsoaringsociety.org). Applicants must be members of the AMA prior to joining HSS. AMA Membership applications can also be obtained at the AMA web site [www.modelaircraft.org](http://www.modelaircraft.org), download document No. 902 from the publications page. Or you can apply on line. If you renew your AMA membership online, be sure to print the receipt that they provide as proof that you joined. And, don't forget your City of Costa Mesa Flying Permit.

## HSS Club Decals

We now have decals / vinyl stickers with the HSS logo available. There are 3" diameter and would look great on your planes or in the back window of your car. Come to the meeting to get one or several. These cost the club \$1.20 each, so please donate to the treasury if you want more than one.

## Social Media Links

Here's how to find HSS on various social media. Check them out!

HSS FaceBook: <https://www.facebook.com/harborsoaringsociety>

HSS Website: <https://www.harborsoaringsociety.org/> (New Vendor Page)

HSS YouTube: <https://www.youtube.com/@HSS-RC-Glider-Club>



## HSS Planned Activities and Events

Thanks to John Rittenhouse for the preparation of the following Calendar of Events.

Some of the activities have not been cancelled yet, but are subject to cancellation at a moment's notice.

### Repeating activities include:

- Monthly General Meetings - 7 to 9 PM on the second Tuesday of each month. These are now in person.
- Monthly Steering Committee Meetings - 6 to 7 PM on the second Tuesday of each month. These are now in person. Additional meetings to be planned as required.
- Flying field maintenance on an as-needed basis.
- Quarterly meetings with the Orange County Parks Department. .

### Annual Events:

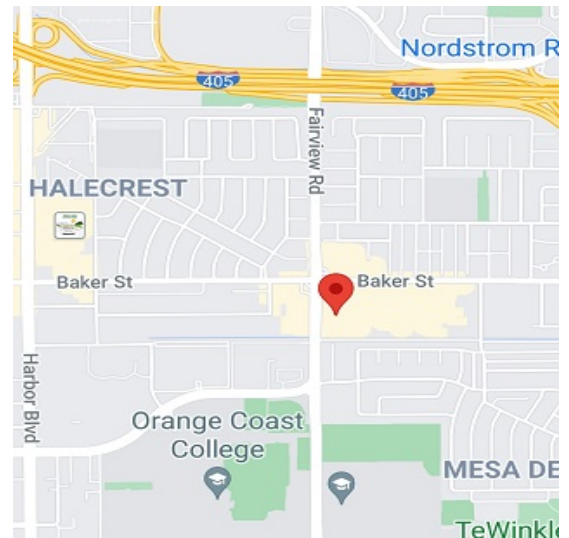
- 2.10.2023 Wix, website management payment due.
- 3.23.2024 Wix, harborsoaringsociety.org domain name re-registration payment due.
- 7.2023 Network Solutions, website domain name re-registration payment due.
- March AMA charter and "Gold Leader Club" renewal.
- March Club must purchase "Certificate of Liability Insurance" from AMA.
- April Imaginology - This is a public service event held at the Orange County Fairgrounds. HSS provides booths containing static displays of model aircraft, build and fly paper gliders, and model flight simulators.
- June Southern California Soaring Clubs (SC-2) glider competition. HSS hosts local glider clubs, for one of the monthly events held throughout Southern California.\*
- July Concerts at the Park - Three evenings on Tuesday nights in July at Fairview Park. Music is sponsored by the City of Costa Mesa. HSS supports this public service event with a pop-up sunshade, and static display of model aircraft.
- July Bent Wing Glider Competition. This event is open to all club members and guests.\*
- August National Model Aviation Day. Open house, demonstrations, free flying lessons, and acquiring donations for charity.\*
- August Dollar Foam Design/Build/Fly competition. Tentative schedule. Aircraft are original designs, electric powered RC models made from a single sheet of paper backed 1/4" foam. Performance criteria to be determined.
- September Electric Fun Fly Competition. Tentative schedule. Multiple events are planned for club members and guests.
- September Club Secretary shall submit annual 501(c)(3) report to IRS (include \$25 payment).
- October Pumpkin Festival/Scarecrow Competition. This is a public service activity for HSS. It is planned by the city, to be held at the Lions Park
- October Nominations made for new club officers.
- November New club officer election. General Meeting.
- December Christmas party and new club officer installation. Location to be determined.
- TBD Letter of Agreement with John Wayne control tower. Renew every two years.



### Next Meeting

Our normal schedule is to meet on the second Tuesday of each month from 7 to 9 PM at the Round Table Pizza restaurant located at 1175 Baker Street, at the South East corner of Baker and Fairview. They have a meeting room but no buffet. Individual pizzas, sandwiches, and drinks can be ordered. Phone is 714-549-2101. Bring your favorite plane for show-and-tell. Bring your wife, family, and friends. There may be a raffle. The new location map is shown at right.

The monthly HSS Steering Committee meeting is held from 6 to 7 PM just prior to the General Meeting.



### Free Plane Rap Copies

Rob Askegaard has free near new color copies of HSS Plane Rap newsletters from 2005 through 2017 that he would like to give away. Contact Rob at the monthly meetings or 714-873-7710. [rmaskegr@gmail.com](mailto:rmaskegr@gmail.com).

### Invitation To Members For Contributions To The Plane Rap Newsletter

Your editor would love to hear from club members. If there is anything you would like to share with the rest of us, I would like you to send it to me. I will add it to the next newsletter. My favorite things to publish are items sent in by members!! These can be anything like reviews of your plane or equipment, links to good videos, links to articles, and things you have built or created. Bad spelling and/or grammar gladly accepted. Anything from a picture with a caption to a full blown build/review article is good. Letters-to-the-Editor are always welcome as well. Tell us what you think. Please help make the newsletter and website more interesting with your submissions. Embarrassing pictures/videos are the best. I look forward to hearing from you.

Mike Costello - Plane Rap Editor - [mikeftre@gmail.com](mailto:mikeftre@gmail.com).

### Photos of Your Planes

John Rittenhouse has become the club photographer, with Mike Costello as a backup. This is your newsletter, so if you want to see your models featured, or photos of something that interests you, please send to the newsletter editor.



**For Sale**

Randy Wilbur has the following for sale. All prices negotiable

- VQ Douglas A-26K 69" span. Uses two .46 engines or electrics \$350
- VQ deHavilland Beaver 101" span, with Bully 35cc engine and full servos installed. Needs some love, tail feathers knocked off \$300
- Jerry Bates Bearcat Plans + dummy engine, canopy \$40

Contact Randy at 949-683-9662

Alberto Dona has the following for sale. Prices negotiable. All are glass fuselage with obechi sheeted foam wings.

- Drifter ARF (Global / Hobby Shack)
- Velvia Fly 2m
- Lotus HLG 1.5m

Contact Alberto at 949-310-3631 or [hobbyclub@earthlink.net](mailto:hobbyclub@earthlink.net)

**HSS Sponsors**

The following companies are proud sponsors of Harbor Soaring Society. They give us special offers, and make contributions to our monthly raffles. In return, please support them, and mention that you saw them advertised in the HSS Plane Rap newsletter.

**AirPixel Technologies/FrSky Distributor**

I just wanted to reach out on behalf of FrSky, as we are working directly with the manufacturer to do some community outreach to aviation clubs that are close to us here in Southern California, as provided by the AMA Club list. If anyone who happens to be a part of your club or organization is looking to purchase any number of **FrSky radios, receivers, gimbals**, or **other FrSky products**, we would love to assist in fulfilling these needs. During this outreach, we will be **lowering our prices to assist local clubs** in obtaining the necessary gear to get members flying as soon as possible. If you or anyone in your club is looking for products of this variety to assist in your RC aspirations, please do not hesitate to contact us via email or at our office phone number, which I will attach below, where we can answer questions regarding sales and warranty questions, and assist with any and all FrSky product related technical difficulties that you or your club members might run into.

Thanks so much for keeping the hobby alive and I look forward to hearing from you! -Brock

**Brock Nelson** <[Brock@airpixeltek.com](mailto:Brock@airpixeltek.com)> **sales** <[sales@airpixeltek.com](mailto:sales@airpixeltek.com)>

AirPixel Technologies: North American FrSky Distribution and Service Center  
[9690 Telstar Ave.](http://www.airpixeltek.com) [Suite 226](http://www.airpixeltek.com) [El Monte, CA 91731](http://www.airpixeltek.com) Phone: 626-656-3121



**RC Visions Hobby Shop**

RC Visions is the new name replacing Rob's R/C Hobbies. The hobby shop is under new management with improvements in their service particularly for model aircraft. Your editor met with General Manager Mark Smith, who has confirmed that RC Visions has new hours, seven days a week, and will offer a 10% discount to HSS members on most everything except kits and electronics (as noted in the ad below). We are most fortunate to have this great hobby shop continue in business.

**RC VISIONS HOBBY SHOP**  
 Sales / Parts / Repair  
 Radio Control Airplanes, Helicopters, and Cars.  
 15071 Goldenwest St. Huntington Beach  
 S.W. Corner of Goldenwest & Bolsa Ave  
 (714) 372-3777 or (949) 506-8188  
 Open seven days a week

VINTAGE GLIDERS and OLD TIMERS FULL LASER CUT KITS \* E-JET RTF\* R/C RTF MICRO FLYERS\*\*\* Dealer's Inquiries Invited



LEPRECHAUN 2591mm



SG-38 SCHULGLEITER 3400mm



CLOUD CLIPPER 1800m



SB-98 R/C GLIDER KIT 2500mm



1:6 DFS Minimoa Mo2a



DFS Grunau Baby 70.8 in. Avail. as Full and Semi Full Kit.



DFS Minimoa 112 in.



DFS Kranich 112in.



DFS Weihe 109 in.



1:2 EP RQ-7 2.1m Shadow Balsa/Ply Complete Kit w/ Motor



MILES HAWK 97.6



E-Jet Star Pro, 64mm-11 Blades Fan-w/Flight Controller, Motor, ESC, Inst. Servos



MINI SINBAD 48.4 in. with PowerPack for e-Glider



1:4 GRUNAU BABY AION 2.5m e-Glider

SABER 3D PnP 36.2 in. Including: Installed, 2215 motor, 4 servos, 30A ESC,



**HOBBY CLUB**

[www.hobbyclub.com](http://www.hobbyclub.com)

Ph. 949-425-1362

Aliso Viejo, CA. 92656



Complete with PwrPack





SOCIETY



### MEMBERSHIP APPLICATION 2024

Harbor Soaring Society  
AMA Chartered Club #128 - AMA's Oldest Chartered Soaring Club  
P.O. Box 1673 Costa Mesa, CA 92628  
*Revised October 3, 2022*

I understand that by applying for membership in the Harbor Soaring Society I must be a current member of the AMA (Proof of status required, may be photocopy of membership card or AMA receipt of fees paid). In addition, I will take the AMA TRUST test and show my Completion Certificate. When I acquire or already have acquired any Unmanned Radio-Controlled Aircraft, I will apply for an FAA Registration Number and affix that number to all my aircraft.

Name \_\_\_\_\_ AMA # \_\_\_\_\_

Address \_\_\_\_\_

City \_\_\_\_\_ State \_\_\_\_\_ Zip \_\_\_\_\_

Home Phone \_\_\_\_\_ Work Phone \_\_\_\_\_

Date of Birth \_\_\_\_\_ Email \_\_\_\_\_

AMA TRUST Completion Certificate Date \_\_\_\_\_

FAA Registration Number \_\_\_\_\_ Date of Registration \_\_\_\_\_

- New Applicants (Without Name Tag) (19 years and older): \$15.00
- Adult Member (Renewal Without Name Tag) (19 years and older): \$15.00
- Junior Member (Without Name Tag) (19 years and under): \$0.00
- Family Member (Without Name Tag) (At Same Address): \$5.00.
- Supporting Member Is non-flying member, includes newsletter. No voting, no AMA, no City permit. \$0.00.
- Optional or Extra HSS Name Tag: \$15.00
- I hereby give my permission to publish my [Name], [Address], [Phone], [Email Address] in the monthly Newsletter. **Strike out those not to be published.** Note that the Newsletter is published on the club website (<http://www.harborsoaringsociety.org>).
- I request Email delivery of the monthly Newsletter in place of U.S. Mail delivery of hardcopy
- I request a printed copy of the monthly Newsletter by U.S. Mail. Printing and Mailing: \$20.00/year

Only glider aircraft are allowed to fly at Fairview Park. Check all your interests.

Duration Gliders _____	Slope Soaring Gliders _____	RES Gliders _____
Large Scale Gliders _____	Hand Launched Gliders _____	Electric Motor Gliders _____
Indoor Electric Planes _____	Electric Helicopters _____	Free Flight _____

In accordance with the Federal Equal Opportunity Act, this organization prohibits discrimination against anyone based on race, color, religion, national origin, sex, marital status, age, individuals with disabilities or veterans. New applicants making application between November 1st and December 31st will pay the annual rate indicated above and such dues will make the new member paid in full for the following year. Applications for adult members submitted between July 1st and October 31st will pay a reduced rate of \$15.00 (name tags extra). A signature is required from all Harbor Soaring Society members, agreeing to comply with the current AMA Safety Code, the current HSS and Costa Mesa City General Field Rules, and FAA rules and regulations applicable to the flying of RC model Aircraft.

**The undersigned attests that: I will operate my model using only radio frequencies for the control of fixed wing or multi-rotor aircraft, and/or data transmission, on equipment certified and approved for such use by the AMA, FAA or FCC as applicable. I understand that my failure to comply with the above restrictions will result in nullification of liability coverage for damages caused or claimed.**

SIGNATURE: \_\_\_\_\_ DATE: \_\_\_\_\_

Total Dues Owed and Attached: \$ \_\_\_\_\_

SIGNATURE OF CLUB OFFICER RECEIVING APPLICATION: \_\_\_\_\_



HARBOR SOARING SOCIETY OFFICERS FOR 2022

President	David Tecker	714-616-0301	<a href="mailto:davestert@gmail.com">davestert@gmail.com</a>
Vice President	Mat Garcia	949-264-2624	<a href="mailto:mat.garcia@live.com">mat.garcia@live.com</a>
Director	Mike Costello	714-875-7994	<a href="mailto:mikefre@gmail.com">mikefre@gmail.com</a>
Treasurer, Membership	Joni Whitsitt	714-397-4046	<a href="mailto:whitsittjo@gmail.com">whitsittjo@gmail.com</a>
Secretary	Joni Whitsitt	714-397-4046	<a href="mailto:whitsittjo@gmail.com">whitsittjo@gmail.com</a>
Contest Coordinator	Randy Wilbur	949-683-9662	<a href="mailto:rwilbur@videotecheng.com">rwilbur@videotecheng.com</a>
Safety Coordinator	Kevin Koch	714-651-1246	<a href="mailto:kev380@yahoo.com">kev380@yahoo.com</a>
Grounds Keeper	Sid Hood	714-963-4964	<a href="mailto:sidhood@yahoo.com">sidhood@yahoo.com</a>
Editor	Mike Costello	714-875-7994	<a href="mailto:mikefre@gmail.com">mikefre@gmail.com</a>
Publisher	Mike Costello	714-875-7994	<a href="mailto:mikefre@gmail.com">mikefre@gmail.com</a>
Club Photographer	John Rittenhouse	714-222-8660	<a href="mailto:johnritt@yahoo.com">johnritt@yahoo.com</a>
Social Media Manager	John Rittenhouse	714-222-8660	<a href="mailto:johnritt@yahoo.com">johnritt@yahoo.com</a>
Lead Flight Instructor	Henry Smith III	714-322-6537	<a href="mailto:henry.smith.3@earthlink.net">henry.smith.3@earthlink.net</a>
Flight Instructor	Jerome Mezzasalma	714-887-7913	<a href="mailto:sdgusa1@msn.com">sdgusa1@msn.com</a>

Web site at [www.harborsoaringsociety.org](http://www.harborsoaringsociety.org), our YouTube site at <http://www.youtube.com/user/hssletsfly> ,  
 Facebook at [www.facebook.com/harborsoaringsociety](http://www.facebook.com/harborsoaringsociety) and E-mail at [harborsoaringsociety@gmail.com](mailto:harborsoaringsociety@gmail.com)

**MONTHLY MEETINGS ARE HELD ON THE SECOND TUESDAY OF EACH MONTH AT ROUND TABLE PIZZA, 1175 BAKER ST. CORNER OF BAKER AND FAIRVIEW.**

**SEE DETAILS INSIDE**

Harbor Soaring Society  
 P.O. Box 1673  
 Costa Mesa, CA 92628

